

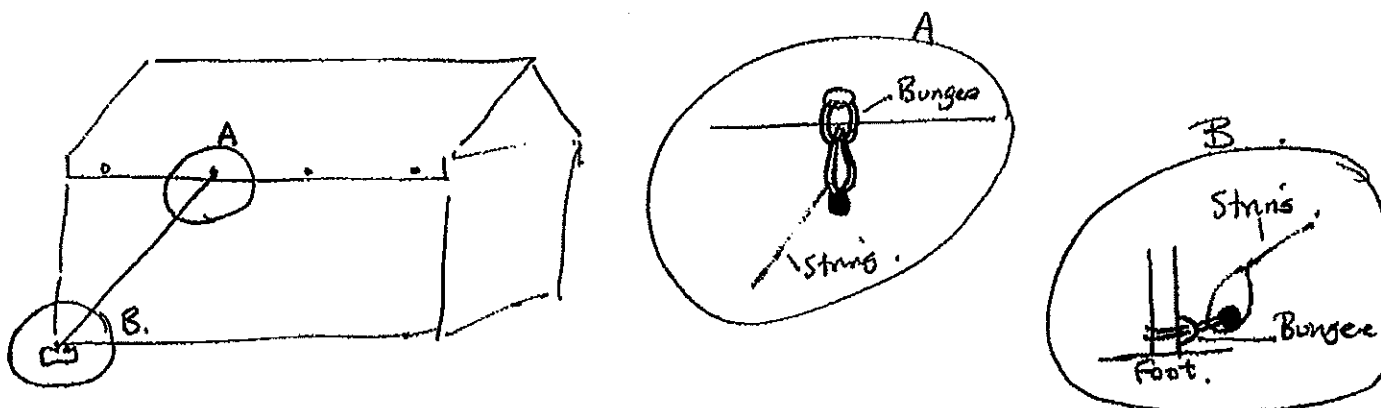
To all marquee users

We do not have a canopy anchor kit or any rope, so please ensure you have rope available in case you need it. We have found a number of places where some of the marquees have become damaged and, as yet we have not been able to repair them. Therefore, please:

Do not use any hole in the canvas for fixing unless it has a metal ring.

If it is windy and you find the roof edges are flapping they can be secured down, but this must be done as described below:

Take a small bungee and fix it through the roof canvas. Take another and either fix to a foot of the marquee or peg down. Using a piece of string/rope, tie the two together. This will allow any movement in the canvas to take place without tearing out the ring or the canvas.



At the bottom of the side canvas there are rings. Along the long sides these can be secured around poles using the small bungees. Along the back wall these can be pegged, BUT THIS MUST BE DONE USING A BUNGEE.



SunnCamp

WWW.PARTYTENT.CO.UK

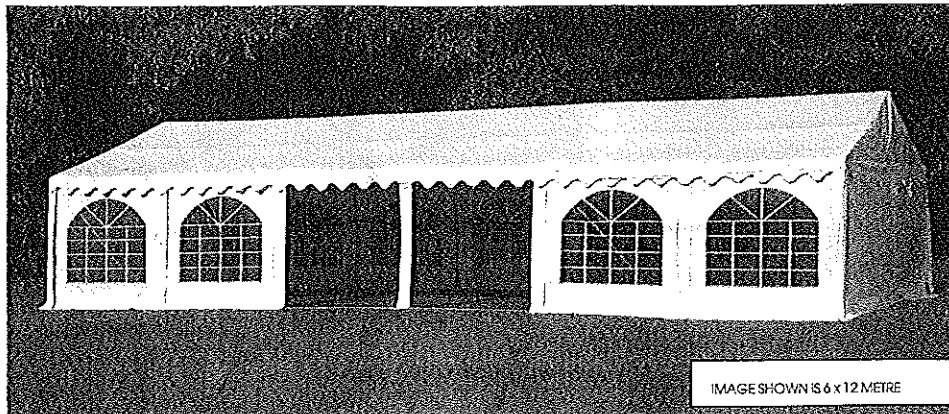
P.V.C. MARQUEE

3 And 4 Metre Wide Models

Thank you for purchasing the Partytent PVC Marquee from SunnCamp.

Before erecting this marquee, carefully read and understand these instructions. If there is anything you do not understand, contact your retailer for advice.

By following the instructions on erecting, dismantling, packing and storing the Marquee you will enjoy many years of trouble free use.



INSURANCE

We highly recommend that your marquee is insured against theft, storm or accidental damage. Storm damage, accidental damage, UV damage and damage through incorrect storage is not covered under the warranty.

CHECK YOUR EQUIPMENT - IMPORTANT

Before the day your Marquee is first required, ensure that you are familiar with the pitching of the product and that all parts are present. Should there be any shortages please contact your dealer. You should familiarise yourself with the Marquee including any limitations the Marquee may have for your particular use. If in doubt, do not use your Marquee before consulting your dealer. A Marquee that has been taken out of its original packaging cannot be exchanged. Try to practice setting up the Marquee before the date it is required for, this will make your event more enjoyable.

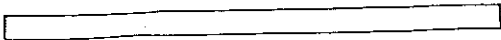
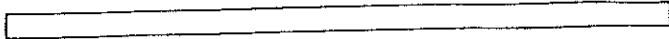
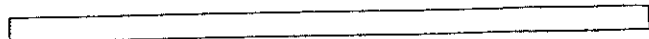




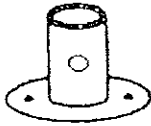
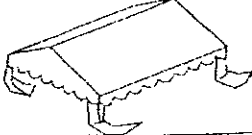

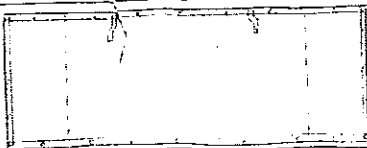
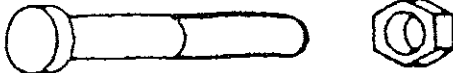
SUITABILITY

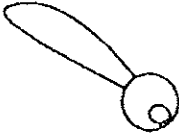





Position: Sheltered Lowland/Valley

Weather: Fair/Moderate

SunnCamp Marquees are not guaranteed waterproof. We do however endeavour to make them as weatherproof as possible. Where necessary/possible we have welded the seams but on some seams this is not feasible. It is therefore possible that a small amount of

PVC Marquee 3 x 6 M Parts List

| | | |
|--------|--|-------------------------------------|
| A X 8 |  | Rafter 1590mm |
| B X 9 |  | Apex and Eave 1940mm |
| C X 8 |  | Leg 1920mm |
| F X 2 |  | Ridge 3 Way Joint |
| H X 4 |  | Corner 3 Way Joint |
| J X 4 |  | Eave 4 Way Joint |
| K X 2 |  | Ridge 4 Way Joint |
| La X 8 |  | Std Base Plate |
| P X 1 |  | Roof |
| Q X 6 |  | Side Walls |
| R X 2 |  | End Walls |
| Ta X 8 |  | Ground Bar Base Plate Nut & Bolt |

| | | |
|--------|--|---------------|
| UX 80 |  | Large Bungees |
| VX 14 |  | Small Bungees |
| WX 36 |  | Pegs |
| Wa X 4 |  | Corner Pegs |
| YX 4 |  | Guylines |
| ZX 1 |  | Spanner |

leakage may occur in heavy rain. Treating all sewn seams with a seam sealant, which is available from your supplying dealer, can help prevent this.

ASSEMBLY INSTRUCTIONS

The Marquee must be pitched on level ground. Ensure that you have enough helpers to lift the Marquee when fitting the legs.

It is important that you take care in windy conditions. It may be necessary to tie down your party tent at any stage during the assembly.

- 1) Layout the roof frame ensuring all parts are in their correct position and then assemble (Fig. 1)
- 2) Attach base plates (La) to Legs (C) (Fig.4) using bolts (Ta) and lay next to roof frame.
- 3) Using an adequate number of people, lift one side of the roof frame and insert the legs into the lower socket of the angles.
- 4) Lay the roof cover (P) over the roof frame and attach with the bungees (U) inserted through the eyelets and around the pole. (Fig.5.6)
- 5) Again using an adequate number of people lift the other side of the roof frame and insert the legs as previously.
- 6) Attach each of the side walls (Q) at the top utilising the bungees (U) already used to attach the roof to the frame. (Fig. 6) Then use further bungees (U) to attach the side walls to the legs (C) (Fig. 6a).
- 7) Attach both end walls(R) to the bottom edge of roof canvas with bungees (V) (Fig. 6c) and to the legs (C) (Fig. 6a) with bungees (U).
- 8) Secure the leg covers to the legs with the hook and loop tape fitted tabs. (Fig. 7)
- 9) Insert metal leg hooks fitted to the bottom of the leg covers into holes in the legs. (Fig. 8)
- 10) Peg down bottom of walls if required.
- 11) It is essential to secure the Marquee with tie down kits (Fig. 9.9a.). These are not supplied as standard with your Marquee but are available from your stockist who will advise you how many are required for the size you have purchased.
- 12) On hard standing it will be necessary to make alternative fixing arrangements for holding the tie downs. It is also possible to semi-permanently fix the feet of the marquee to hard standings (fixings not supplied)

DISMANTLING

To dismantle the Marquee, simply reverse the erection procedure. Please take great care when dismantling in windy conditions and ensure you that have enough help to prevent strain on the frame.
Dry all parts at the earliest opportunity. Do not put away wet.

CONDENSATION

You may experience, depending upon the weather and use, condensation in your Marquee. This should not be confused with leakage. To reduce the risks of condensation make sure that your Marquee has adequate ventilation and avoid the use of gas burning heaters.

CARE OF YOUR MARQUEE - CANVAS

During use, try to keep your Marquee as clean as possible. Remove all deposits and objects as soon as possible. Leaving any substance or object in contact with the fabric may leave a stain. NEVER clean your marquee with anything other than pure warm water or a mild detergent solution and a soft brush. NEVER use any petrol, turps, etc. or other cleaning agent.

The canvas should always be packed away and stored completely dry. Never pack the frame in direct contact with the canvas. If you have to take your Marquee down wet then, at the first possible opportunity, dry your Marquee. DO NOT LEAVE IT PACKED WET. Damp storage will cause mildew and other damage; this is not covered by your warranty. Dry all canvas within 24 hours. Store in a clean dry, well ventilated place.

Zips should be treated with care. Always use two hands to open and close. Candle wax will loosen a stiff zip. DO NOT FORCE A ZIP UNDER TENSION, release the cause of the tension and try again.

When erecting or dismantling place a plastic groundsheet or carpet on the ground to protect from sharp objects and dirt.

Do not pitch under trees or use aerosols in or around your marquee. Tree sap and aerosols can adversely affect the performance of your marquee.

CARE OF YOUR MARQUEE - FRAME

When erecting or dismantling take care not to put excess strain on your frame. Should any damage happen during erection or dismantling, your SunnCamp dealer will be able to supply replacement parts. Retain your frame diagram and parts listing so that you can identify parts when spares are required. Should your frame require cleaning, firstly brush off dirt and then wash with soapy water. Dry thoroughly. Your frame should be stored in a completely dry environment.

EXTENDED USE

If you intend to leave your marquee erected for an extended period then it is important that the Marquee is well ventilated. Large amounts of condensation can form in tents left erected which in extreme cases can cause mildew to form on the inside of the Marquee. Only good ventilation can stop this from occurring. Mildew is not covered under your warranty. It should also be appreciated that leaving you Marquee erected for an extended period will lead to accelerated UV degradation which is not covered under your warranty. Spare roof and wall canvasses are available from your SunnCamp retailer.

FIRE PRECAUTIONS

REMEMBER, YOUR MARQUEE IS FLAME RETARDANT BUT CAN STILL BURN. USE SAFELY - FOLLOW THESE COMMON SENSE RULES

- Do not place cooking, heating or lighting appliances near the sides or the roof.
- Always observe the safety instructions for the appliances.
- Keep exits clear/unobstructed
- Make sure that you learn the fire arrangements on the site.
- Never allow children to play near lighted appliances.
- Do not light fireworks in the Marquee

SPARE PARTS

Should you damage or lose any parts of your Marquee, spares are available from your SunnCamp dealer. Only in case of any difficulties contact SunnCamp direct. IMPORTANT: For any warranty claim you must contact your SunnCamp dealer – do not contact SunnCamp direct. Warranty claims must be processed through your supplying dealer. SunnCamp cannot process a warranty claim for you direct. Please see full warranty terms below.

ACCESSORIES

TIE DOWN KITS

Ensure that your Marquee is anchored securely using our Tie Down Kits, your dealer can advise you how many are required for your model.

GROUND BAR KITS

These easy to attach Ground Bar Sets give your Marquee added stability, especially when used on hard standing. They create a frame around the base to which the bottom of each wall can be attached using bungees, no more flapping walls! The Ground Bar Sets make the whole structure even more stable and more taught. Individual sections may be left out to provide unhindered entry and exit points.

GROUND BAR STAKES

Ground Bar Stakes can be used to help secure the whole Marquee down on soft ground. These are available in packs of six; your dealer can advise you how many are required for your model.

ALL ACCESSORIES ARE AVAILABLE FROM YOUR SUPPLYING DEALER

WARRANTY

This Marquee is covered by a 12 month warranty. The Company undertakes to replace or repair, free of charge, any defect which the Company considers to be due to faulty workmanship or material within 12 months of the purchase date, except for:

- Defects arising from neglect, misuse or unauthorised modifications
- Damage caused by excessive tensioning
- Marquees used on permanent sites
- Damage caused by storm/weather, abuse, misuse, dropping or other similar damage caused by or as a result of failure to follow storage or erection instructions.
- Materials and/or labour costs to renew repair or replace components due to fair wear and tear or condensation/mildew.
- Damage caused due to UV degradation.
- Unauthorised alterations, additions or repairs.
- Transportation or shipment costs to and from the Manufacturer or their recognised agents, for repair or assessment against a warranty claim.
- Colour changes due to environmental circumstances.
- Slight colour differences between panels and light points in coated materials.
- Pegging eyelets and pegs.
- Zips which are working parts
- Marking of the window material

THIS DOES NOT AFFECT YOUR STATUTORY RIGHTS

The Manufacturer and/or their recognised agents, directors, employees or insurers will not be held liable for consequential or other damages, losses or expenses in connection with or by any reason of the inability to use the marquee for any purpose.

NOTE: Any claim(s) arising due to missing parts or faulty goods MUST be made before use. The manufacturer will not be responsible for any claims regarding the missing parts or faulty items where the product has not been checked by the user prior to use.

Please refer to your supplying dealer for all warranty details. If you need to return your marquee please ensure that it is clean and dry. If a marquee is returned dirty or wet we will not be able to work on it and it will be returned un-repaired.

SunnCamp is the camping division of Sunnflair Limited

Chelmsford CM3 5XJ Great Britain

To view our other products visit our websites

www.sunnflair.com

www.partytent.co.uk

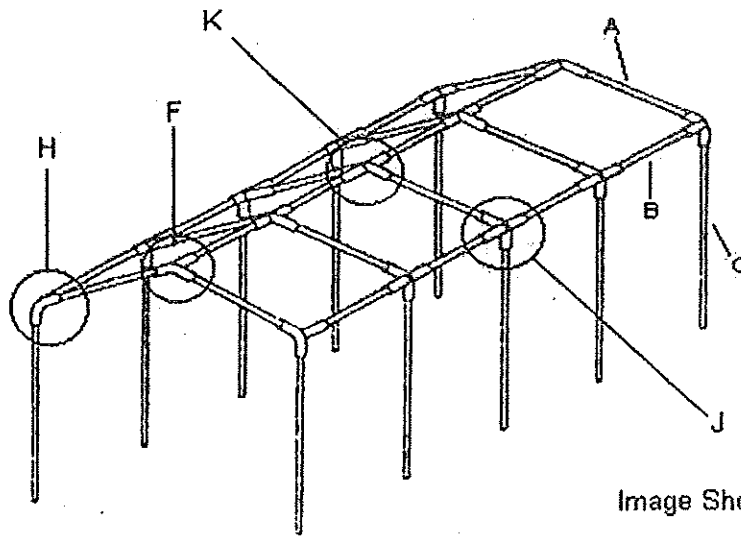


Image Shown is 4 x 8m

Fig.1

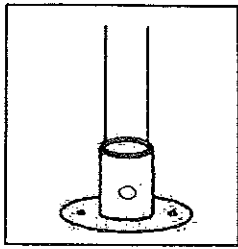


Fig. 4

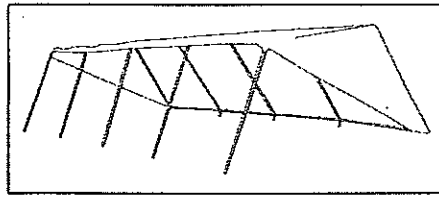


Fig. 5

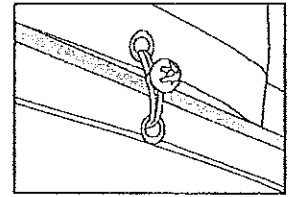


Fig.6

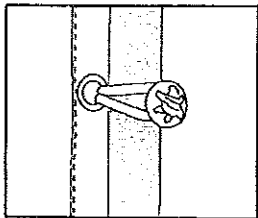


Fig. 6a

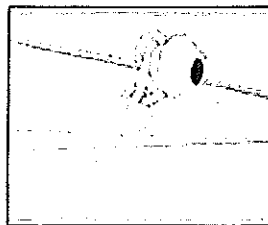


Fig. 6c

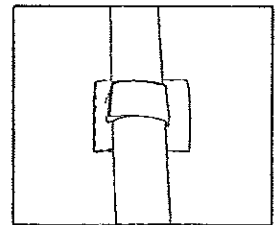


Fig. 7

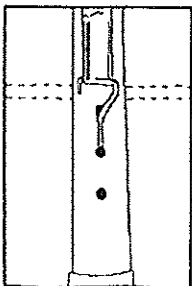


Fig. 8

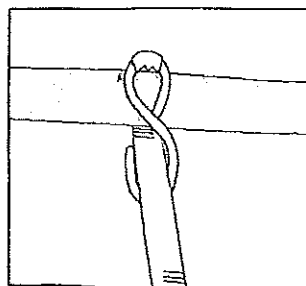


Fig. 9

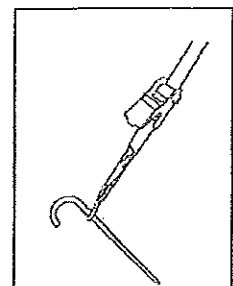


Fig. 9a